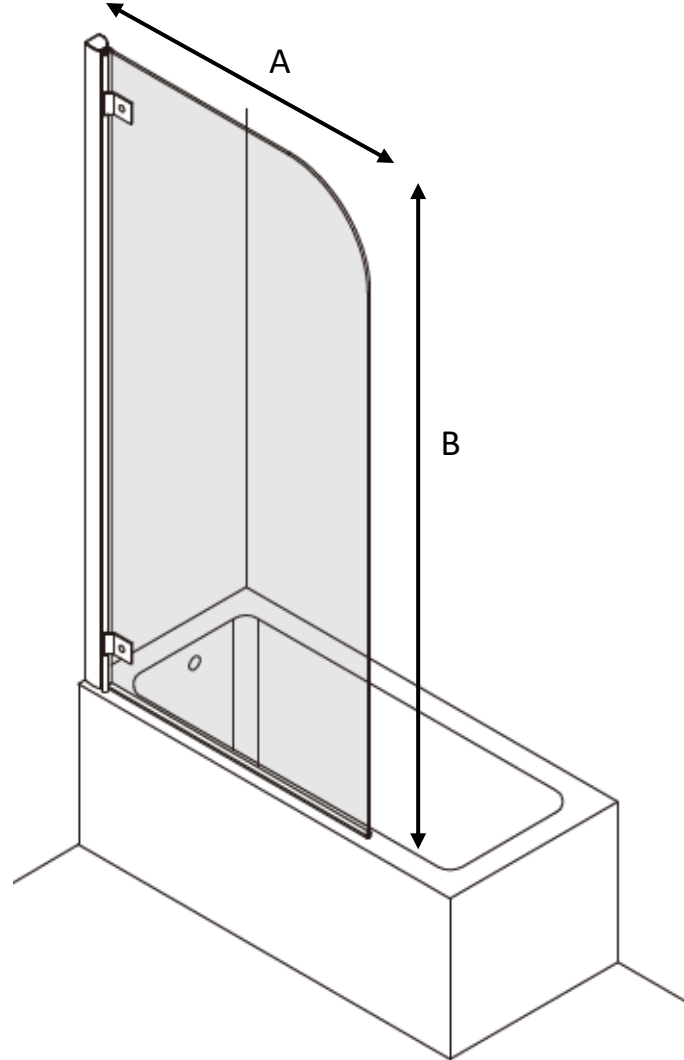


KAI 6 SINGLE HINGED BATH SCREEN

Outward opening

KLBSSC0650

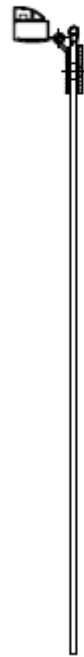
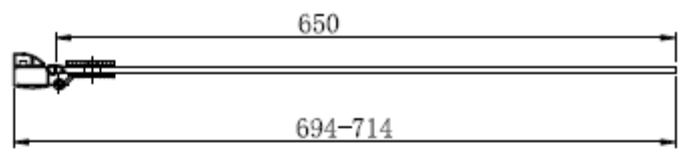
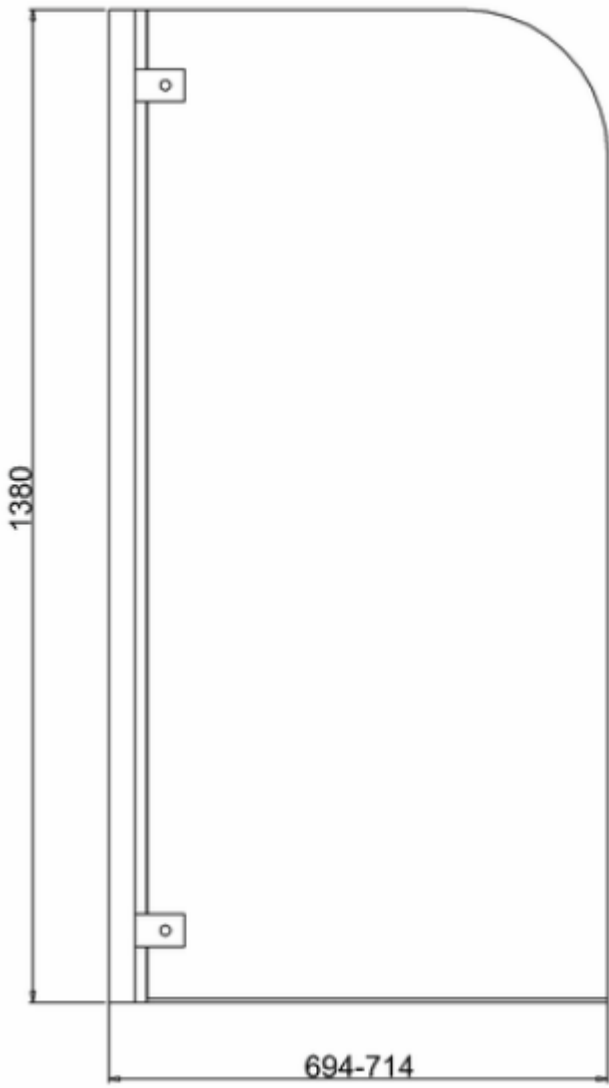
KLBSSC0875



Model	A (mm)	B (mm)
KLBSSC0650	694-714	1380
KLBSSC0875	854-874	1380

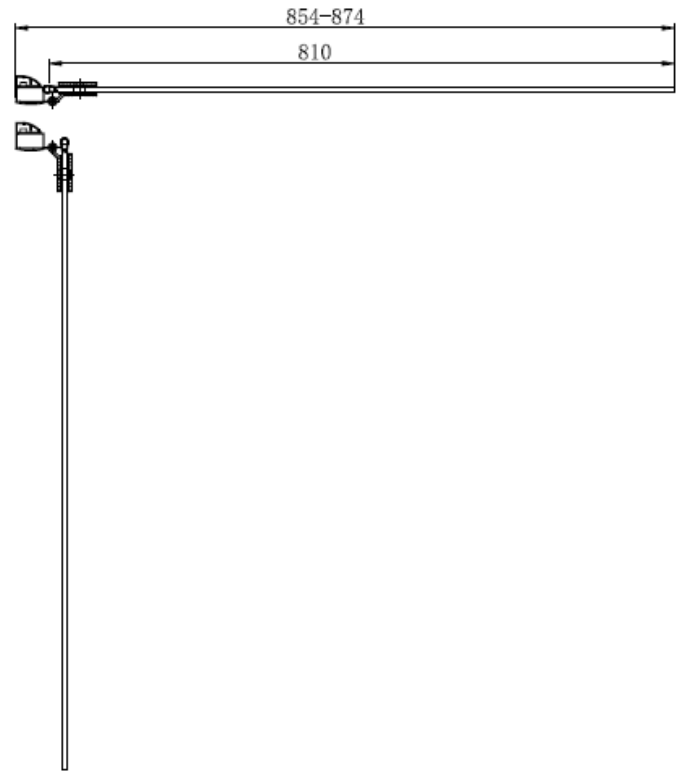
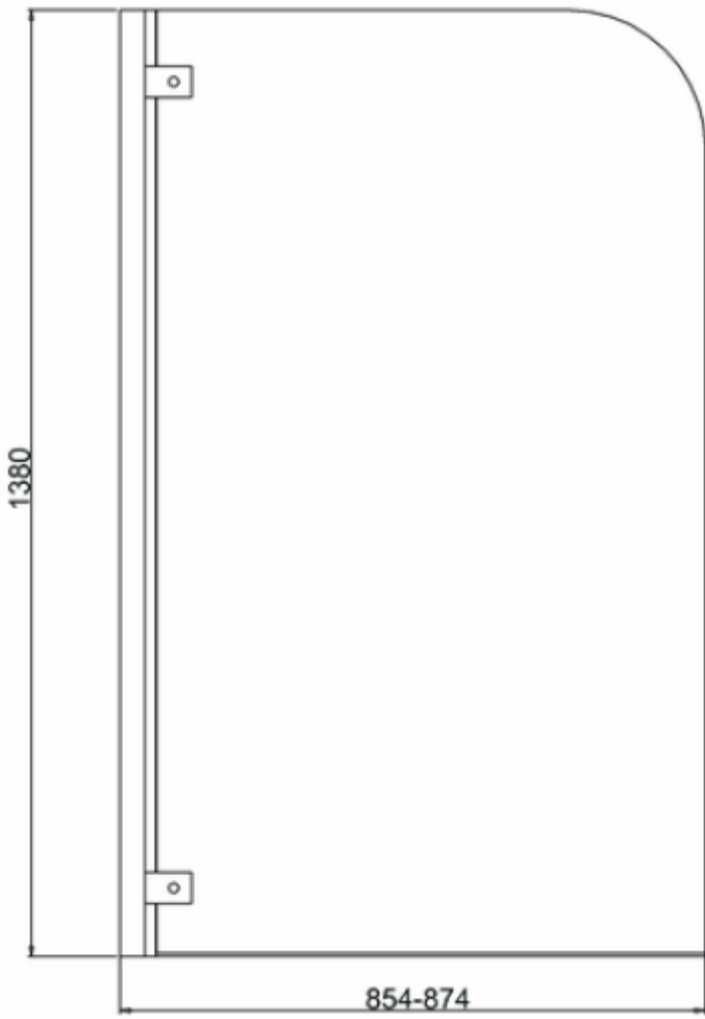
CODE

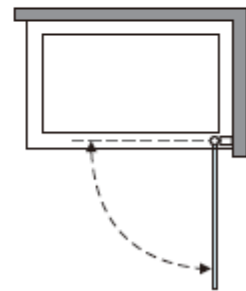
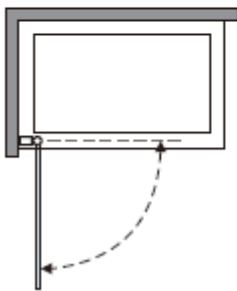
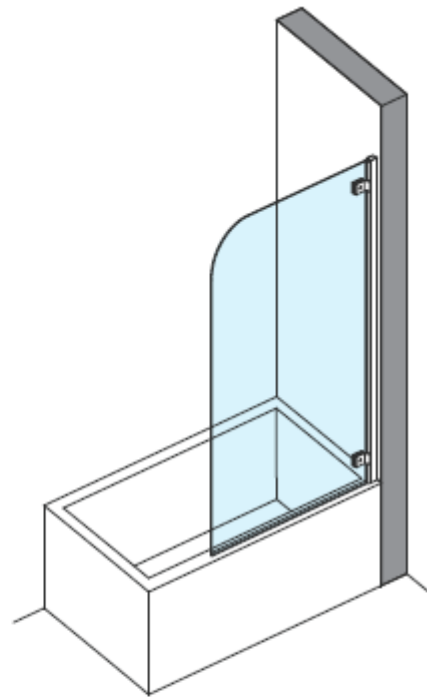
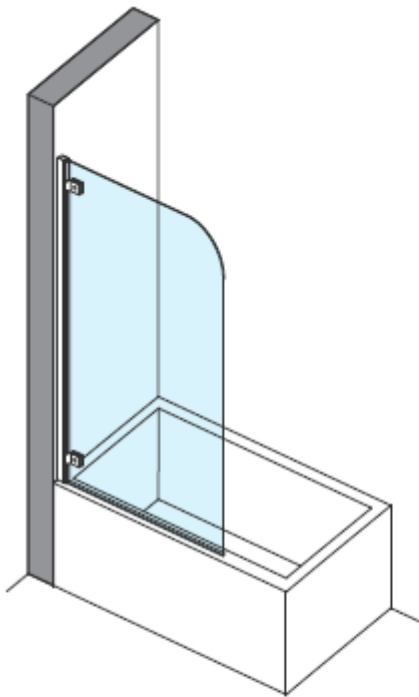
KLBSSC0650

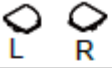













CODE





KLBSSC0875





A		Cap for wall profile x2
B		Cap for adjusting profile x1
C		Wall plug x3
D		Wall profile x1
E		Cover strip x1
F		ST4*30 x3

G		ST4*8 x3
H		Cover cap x2
I		Female connector x2
K		Foam hinge spacer x4
L		Cover cap x2
M		Bottom seal x1

N		Male connector x2
O		Nylon bush x2
P		Hinge stile x1
Q		Vertical seal x1